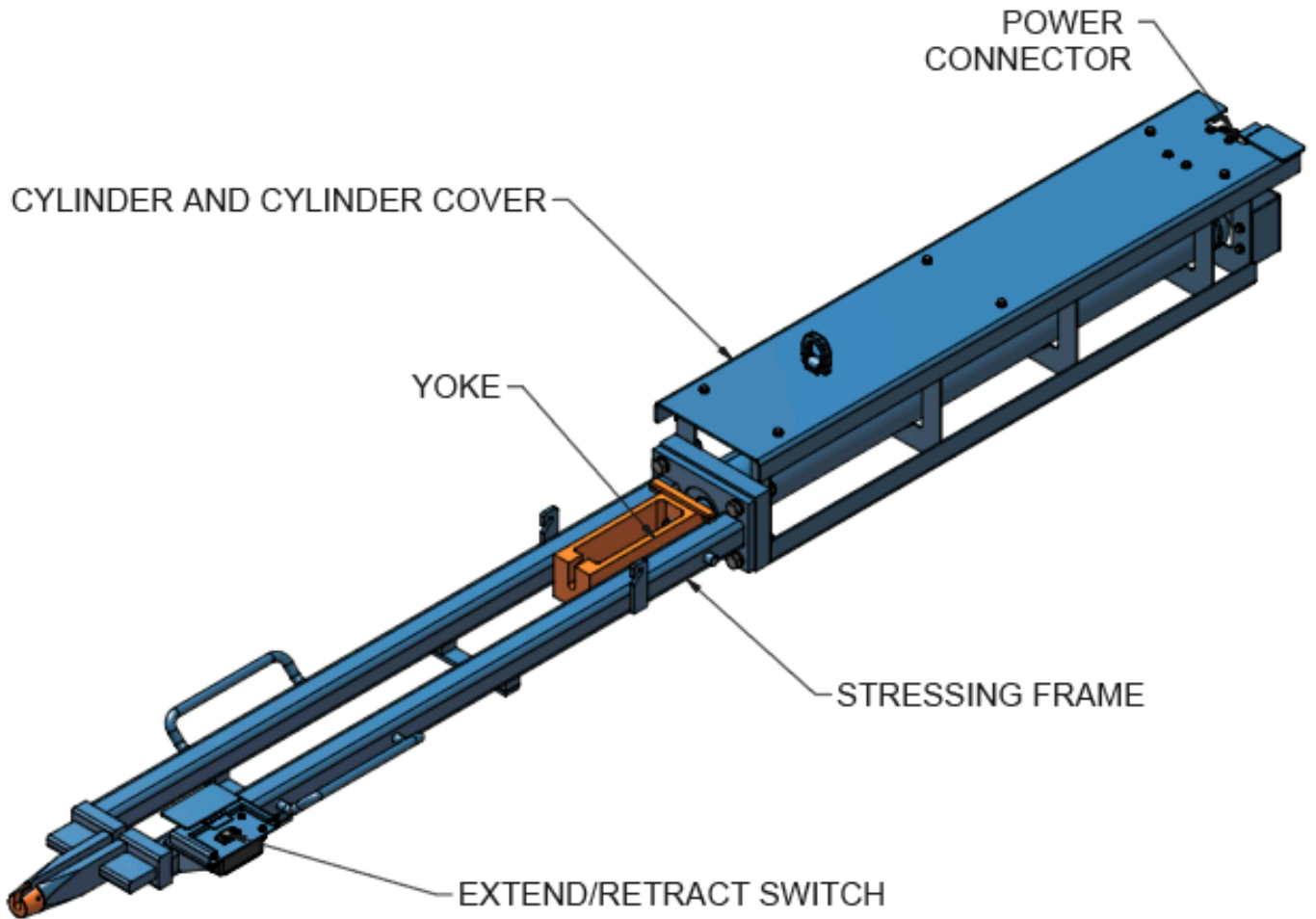


Choose From **4** Hydraulic Stressing Jacks.
They All Work With the Smart Stress System.

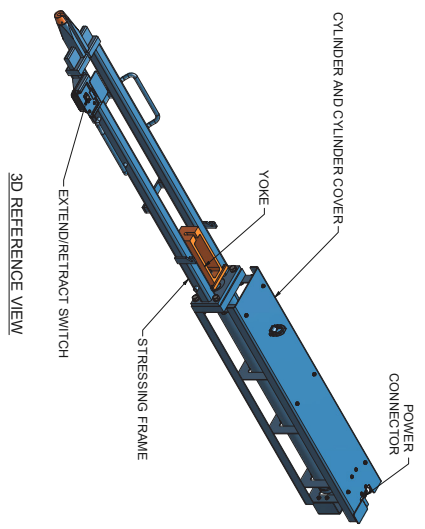
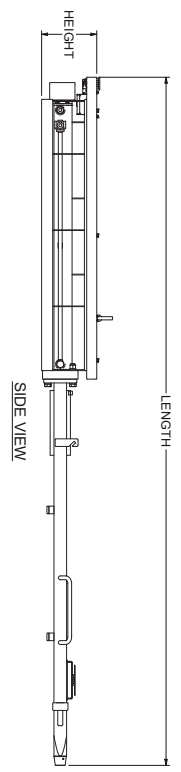
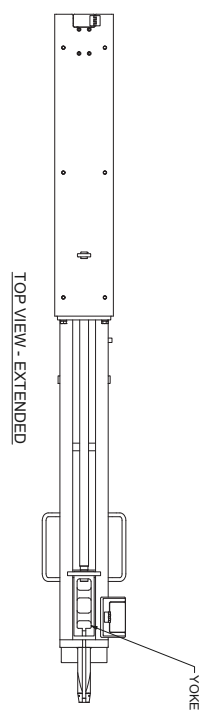
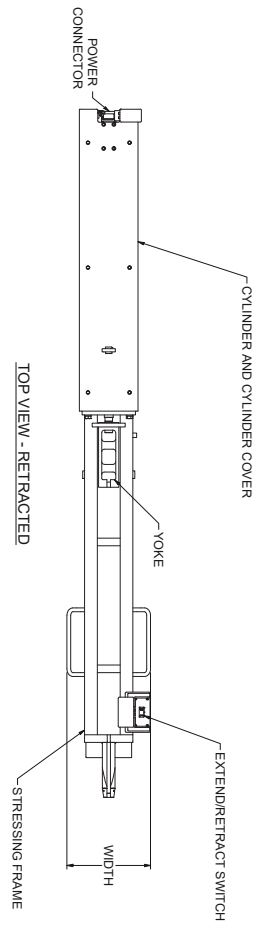


3D REFERENCE VIEW



Hamilton Form Company
Custom forms
Custom products
Practical solutions
hamiltonform.com

ID	DESCRIPTION	LENGTH	WIDTH	HEIGHT	WEIGHT (LBS)
SS/J/ 5X48	0.5" X 48" JACK ASSEMBLY	11.3.9/16"	1.4.15/32"	11.1/4"	4.70
SS/J/ 5X60	0.5" X 60" JACK ASSEMBLY	13.3.9/16"	1.4.15/32"	11.1/4"	5.35
SS/J/ 6X48	0.6" X 48" JACK ASSEMBLY	11.6.1/8"	1.5.15/32"	11.1/4"	5.65
SS/J/ 6X60	0.6" X 60" JACK ASSEMBLY	13.6.1/8"	1.5.15/32"	11.1/4"	6.45



Hamilton Form Company, Ltd.
 1000 Highway 7 East
 Fonthill, ON M48 1R8
 Ph: 817-590-2111
 Fx: 817-595-2110
 www.hamiltonform.com

TOLERANCES (UNO)	
DECIMAL DIMENSION	± 0.01"
FRACTION DIMENSION	± 0.005"
HOLE DIMENSION	± 0.005"
ANGLES	± 1/2°

PROPRIETARY NOTICE
 THIS DOCUMENT AND ALL DATA SHOWN HEREON CONSTITUTE VALUABLE CONFIDENTIAL AND PROPRIETARY TRADE SECRETS OF HAMILTON FORM COMPANY, LTD. NO PART OF THIS DOCUMENT OR ANY INFORMATION CONTAINED HEREIN IS TO BE REPRODUCED, COPIED, DISCLOSED, OR TRANSMITTED IN ANY FORM OR BY ANY MEANS, WITHOUT THE WRITTEN PERMISSION OF HAMILTON FORM COMPANY, LTD.

REVISIONS	

BY	DATE
LMI	1/3/2024
CH	
DET	
CH	
PLOT	

SHEET TITLE		SHEET #	
JACK ASSEMBLY DIMENSIONS	DRAWING SET	DAPP-S1	DRAWING SET #
SMART STRESS SYSTEM STRESSING JACKS	CUSTOMER	DAPP	JOB #